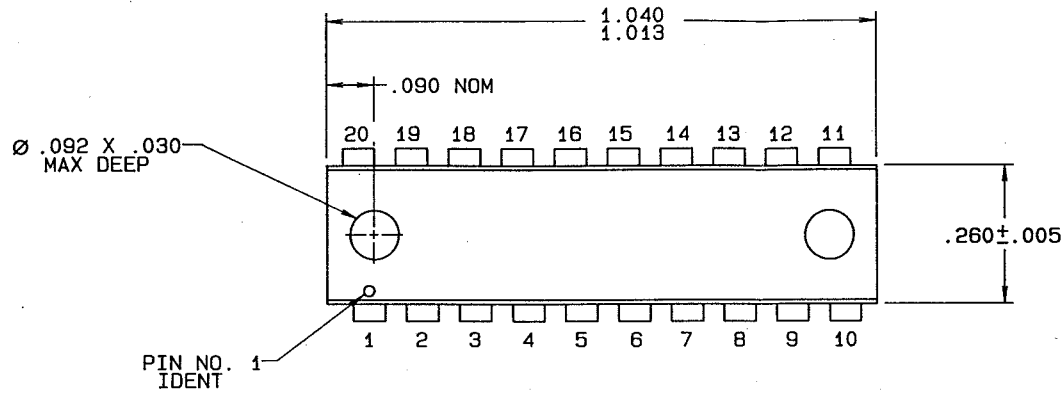
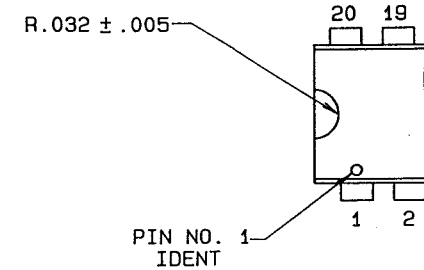


THIS DRAWING IS THE PROPERTY OF NATIONAL SEMICONDUCTOR CORPORATION. NO USE THEREOF SHALL BE MADE OTHER THAN AS A REFERENCE FOR PROPOSALS AS SUBMITTED TO NATIONAL SEMICONDUCTOR CORPORATION FOR JOBS TO BE EXECUTED IN CONFORMITY WITH SUCH PROPOSALS UNLESS THE CONSENT OF SAID NATIONAL SEMICONDUCTOR CORPORATION HAS PREVIOUSLY BEEN OBTAINED. NO PART OF THIS DRAWING SHALL BE COPIED OR DUPLICATED OR ITS CONTENTS DISCLOSED. THE INFORMATION CONTAINED ON THIS DRAWING IS CONFIDENTIAL AND PROPRIETARY.

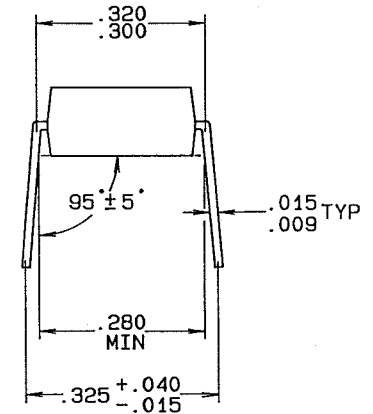
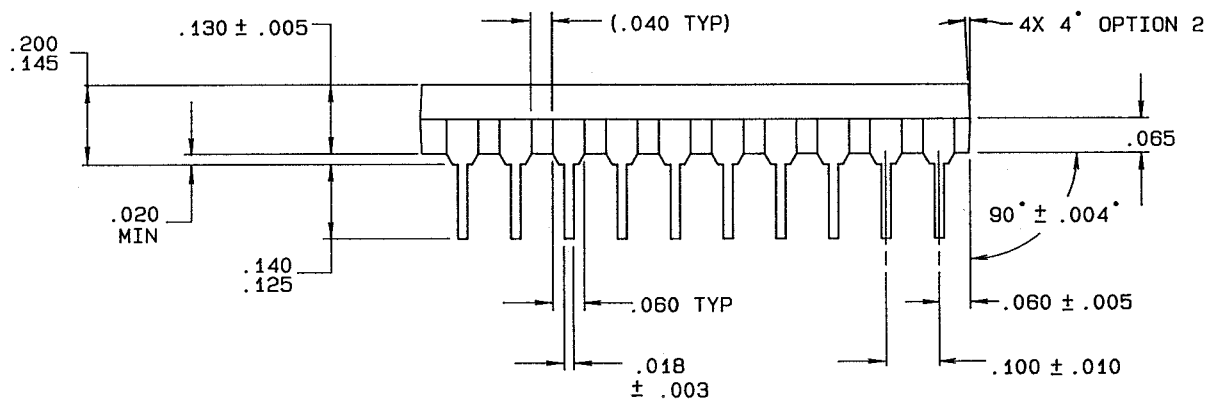
REVISIONS				
LTR	DESCRIPTION	E.C.N.	DATE	BY/APP'D
G	.015/.009 WAS .010/.009 . REDRAWN	01836	11/28/84	OC/ [Signature]



OPTION 1



OPTION 2



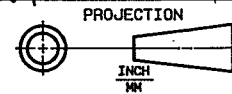
NOTES: UNLESS OTHERWISE SPECIFIED

- STANDARD LEAD FINISH:
200 MICROINCHES MINIMUM LEAD/TIN: 37/63
ON ALLOY 42, OR EQUIVALENT OR COPPER.

APPROVALS	DATE
DRAWN N. BAHRAMIAN	11/28/84
DETG./CHK. [Signature]	05-09-86
ENGR. CHK. [Signature]	5-7-86
APPROVAL [Signature]	5-7-86

NATIONAL SEMICONDUCTOR CORPORATION
2900 Semiconductor Drive, Santa Clara, CA 95052-8090

**MOLDED DIP (N),
20 LEAD**



SCALE	SIZE	DRAWING NUMBER	REV
N/A	B	MKT-N20A	G
FORMERLY:		SHEET 1 OF 1	